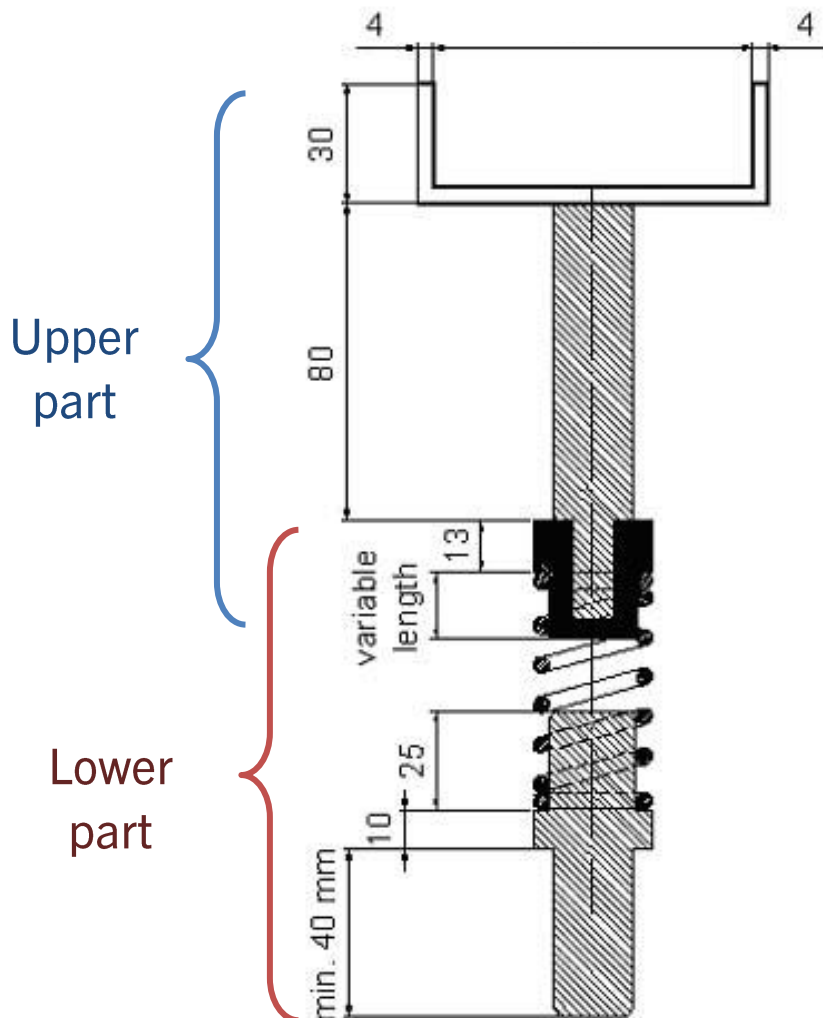


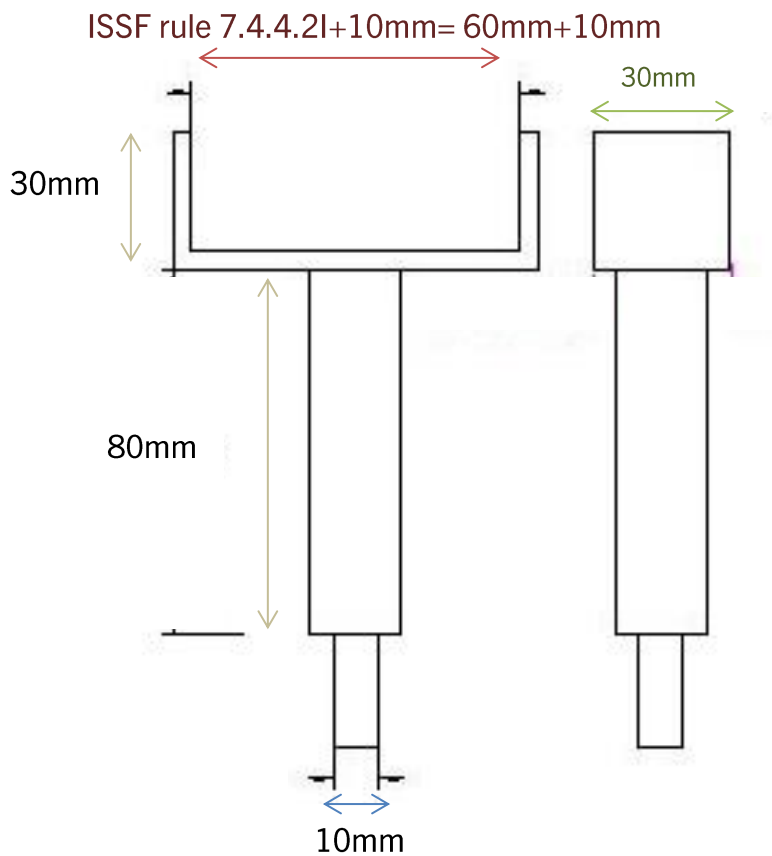
APPENDIX 7

SH2 Support Stand Parts Drawings

1 Overview



2 Upper part support (U form Shaft)

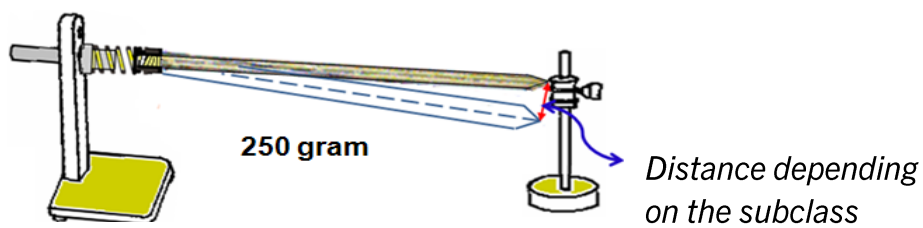


Max. weight: 200 grams

3 Support stand measuring procedure

3.1 Zero point

250 gram measuring bar is used to determine the zero point.



3.2 Spring flexibility

720 gram measuring bar is used to indicate spring flexibility:

- Weak (a) spring: minimum 35mm flexibility
- Strong (b) spring: minimum 25mm flexibility

